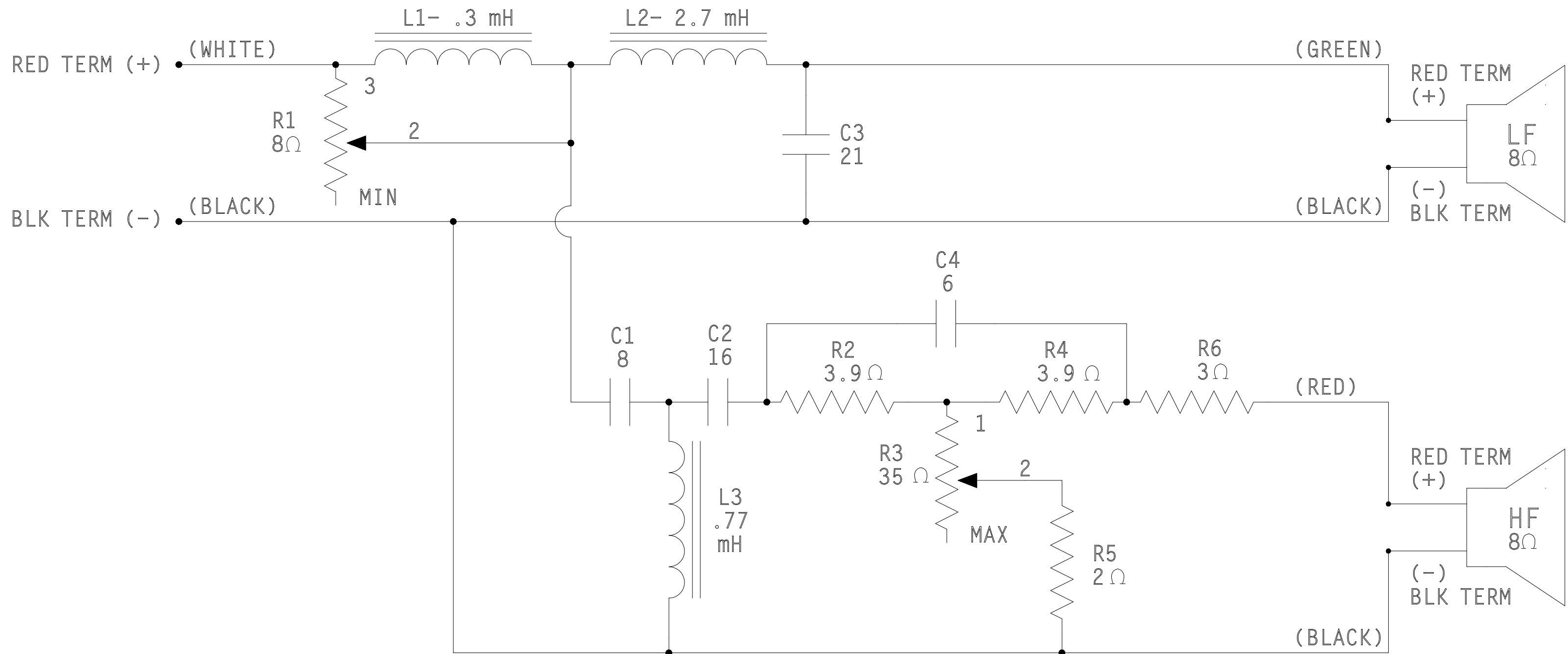


ALTEC® Model 19 Network (N1201-8A)

01/2001 Jim Easley



- | | |
|----------------|-----------------------|
| C1= 8 mfd. NP | L3 = .77 mH. |
| C2= 16 mfd. NP | R1, R3 = 8 ohm L-Pad. |
| C3= 21 mfd. NP | R2, R4 = 3.9 ohm. |
| C4= 6 mfd. NP | R5 = 2 ohm. |
| L1= .3 mH. | R6 = 3 ohm. |
| L2= 2.7 mH. | |